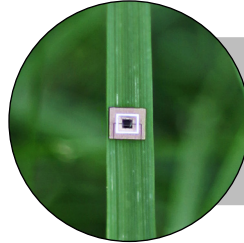
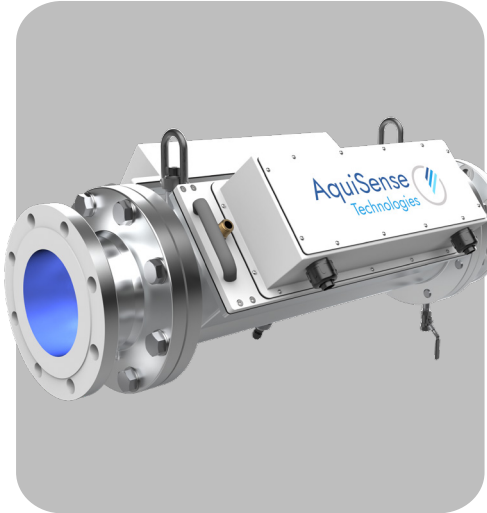


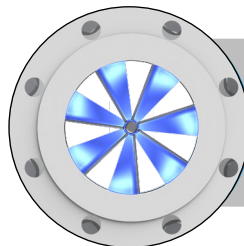
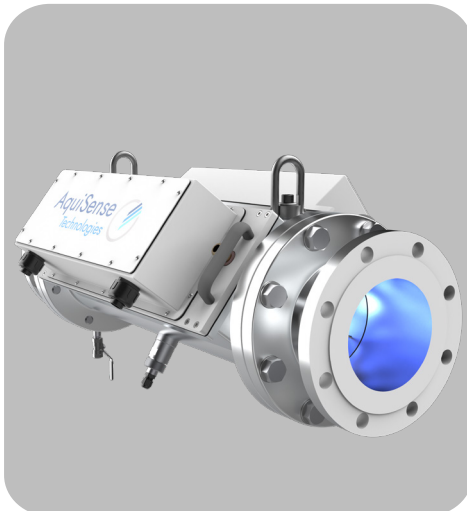
UV-C LED Treatment for Industrial Applications



- Compact UV-C LED system
- Drinking water materials compliant
- No harmful chemicals or mercury



- Features replaceable lamp module
- Stabilized UV-C output power
- Advanced cooling design



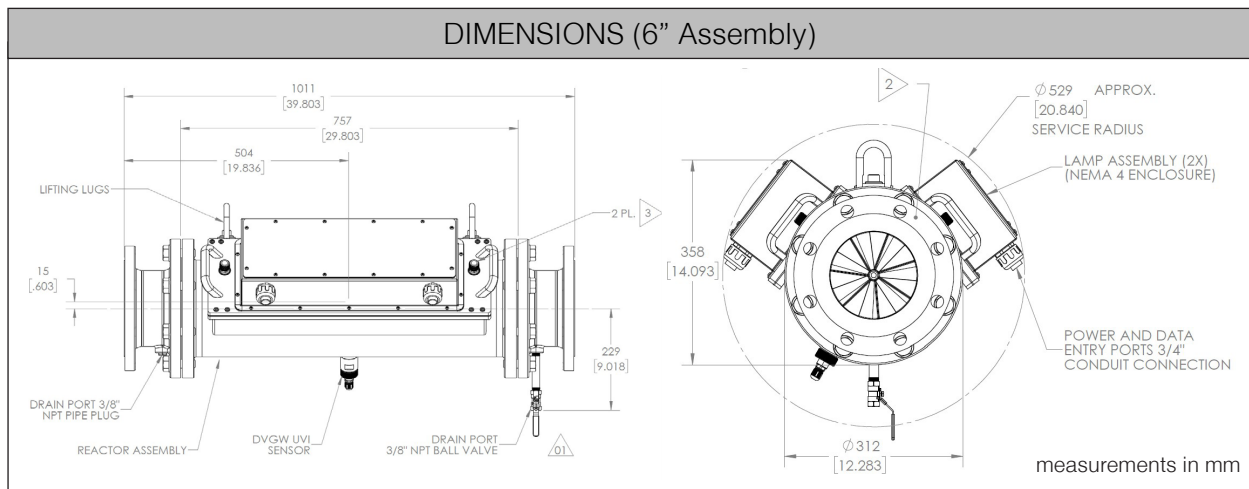
- Remote I/O interface
- Realtime UV Intensity Monitoring
- Modbus TCP interface



- Instant on/off
- Unlimited on/off cycling
- Low maintenance

SYSTEM SPECIFICATIONS	
Product Name	PAK-O
Number of Lamps	1 or 2
Flange sizes (in)	4, 5, 6
Est. Max Flow [m³/D (MGD)] Dependent on target UV Dose	5488 (1.44)
UV-Transmittance	> 90% recommended
Max Water Temp [°C (°F)]	60 (140)
Headloss at Max Flow (psi)	0.9
Max Flow Pressure [bar (psi)]	10 (145)
Protection Class	IP65
Flow Diverter	Integrated
Cleaning System	Manual
Reactor Material	316L stainless steel
Ports	Drain/vent
Control Interface	Modbus TCP
Lamp Monitoring	UV Intensity, Temperature, LED failure
LED Driver	Integrated into lamp module
Input Voltage [VAC]	208-240
Max Power Draw per Lamp [kW]	3.5
COOLING SPECIFICATIONS	
Flow Rate [lpm (gpm)]	Parallel: >10 (2.6) Series: >15 (4.0)
Inlet Temperature [°C (°F)]	<25 (77)
Max Pressure [bar (psi)]	6.8 (100)
Port Connections	1/2" NPT-M

Specifications subject to change.



Additional dimensions available on request.